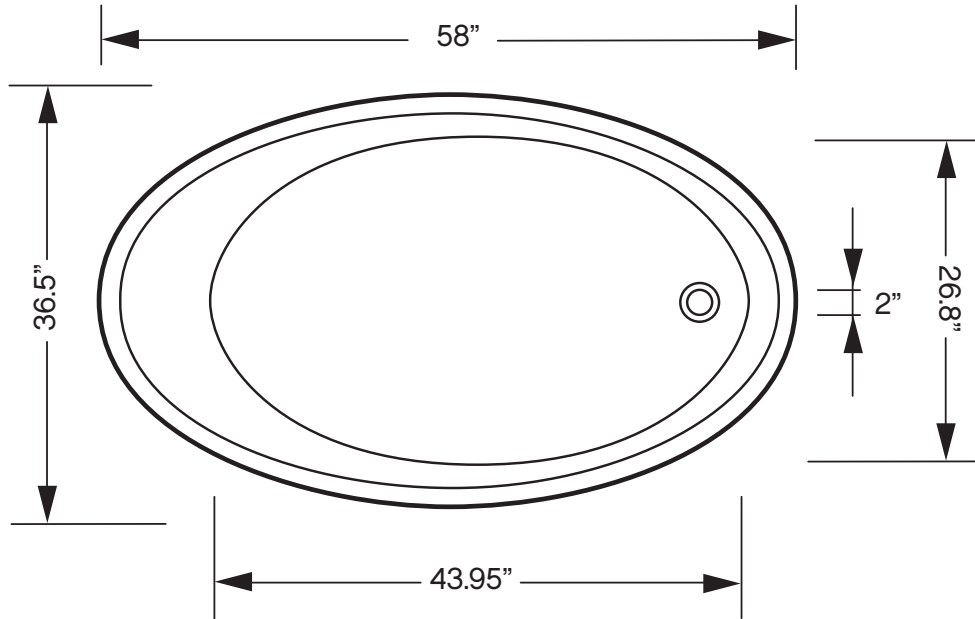
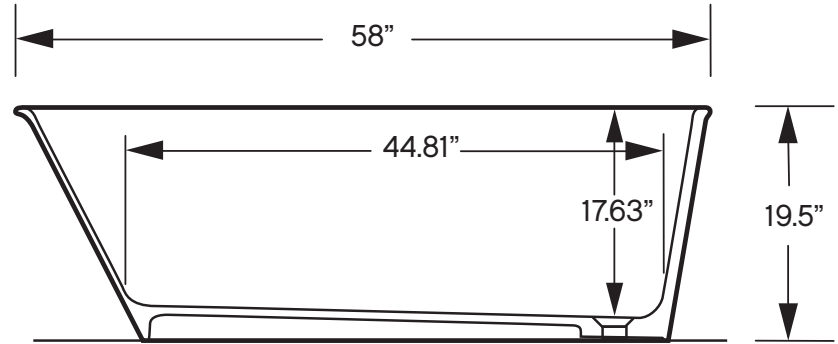
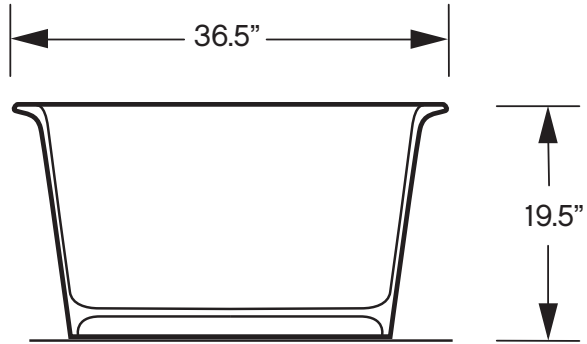


# CLARKE

ARCHITECTURAL



<b>OVAL</b>	
LENGTH	58"
WIDTH	36.5"
HEIGHT	19.5"
CAPACITY	71 Gallons
DRAIN	Offset
MODEL #	<del>CA7234FS-01</del>

**CA5836FS-01**