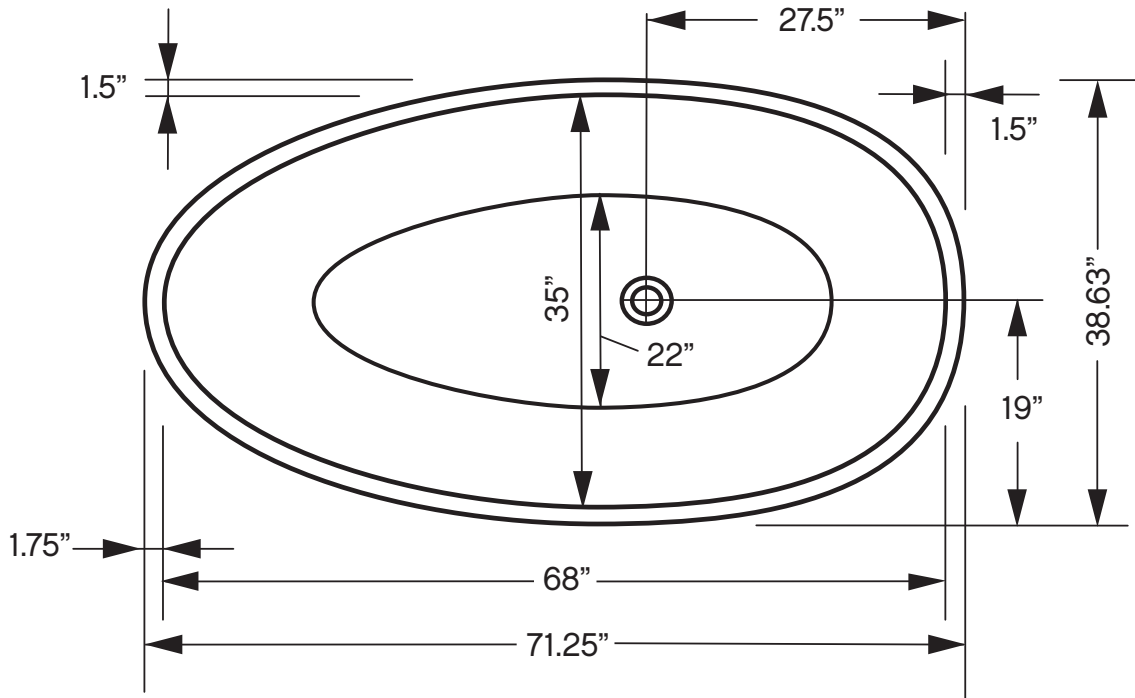
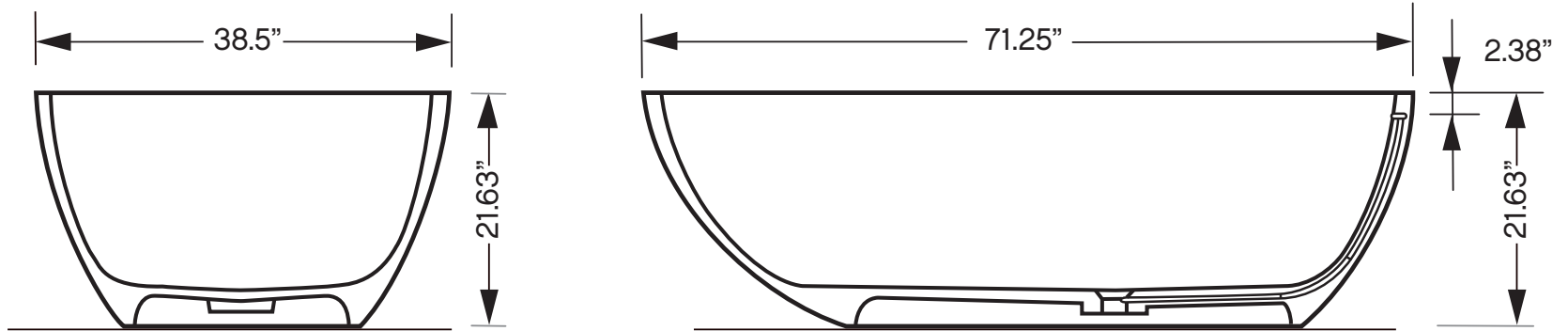


CLARKE

ARCHITECTURAL



IRIDEON	
LENGTH	71.25"
WIDTH	38.5"
HEIGHT	21.63"
CAPACITY	169 Gallons
DRAIN	Center
MODEL #	CA7139FS-01